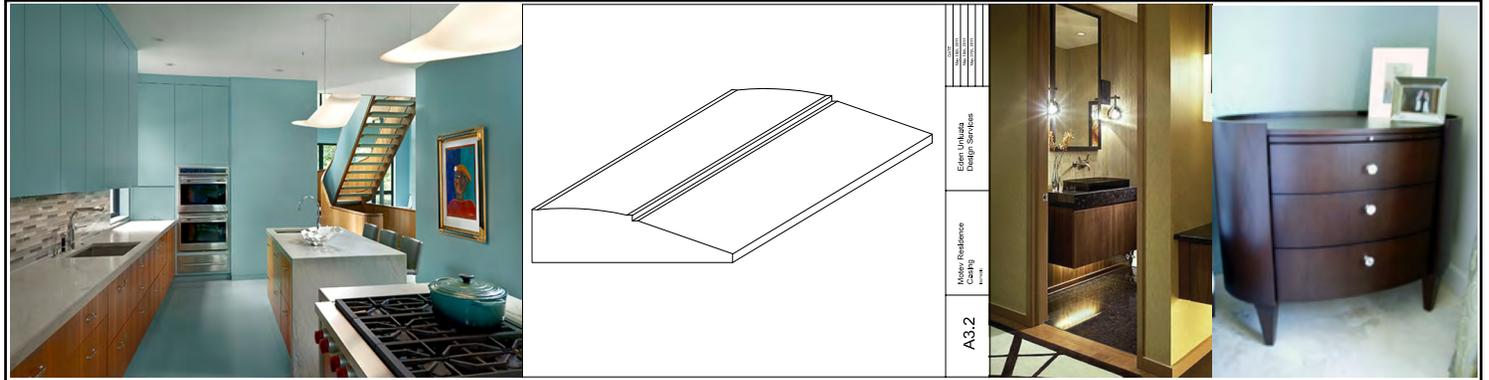


Eden Ünlüata-Foley

edenunluata.com



Chicago, IL. 60640



773-485-0106
uneden@gmail.com



Interdisciplinary Designer

Process

Needfinding, Defining, Design Development, Project Management

Experience

Interior Design, Space Planning, Product Design - Millwork and Furniture Design, Project Management

Skills

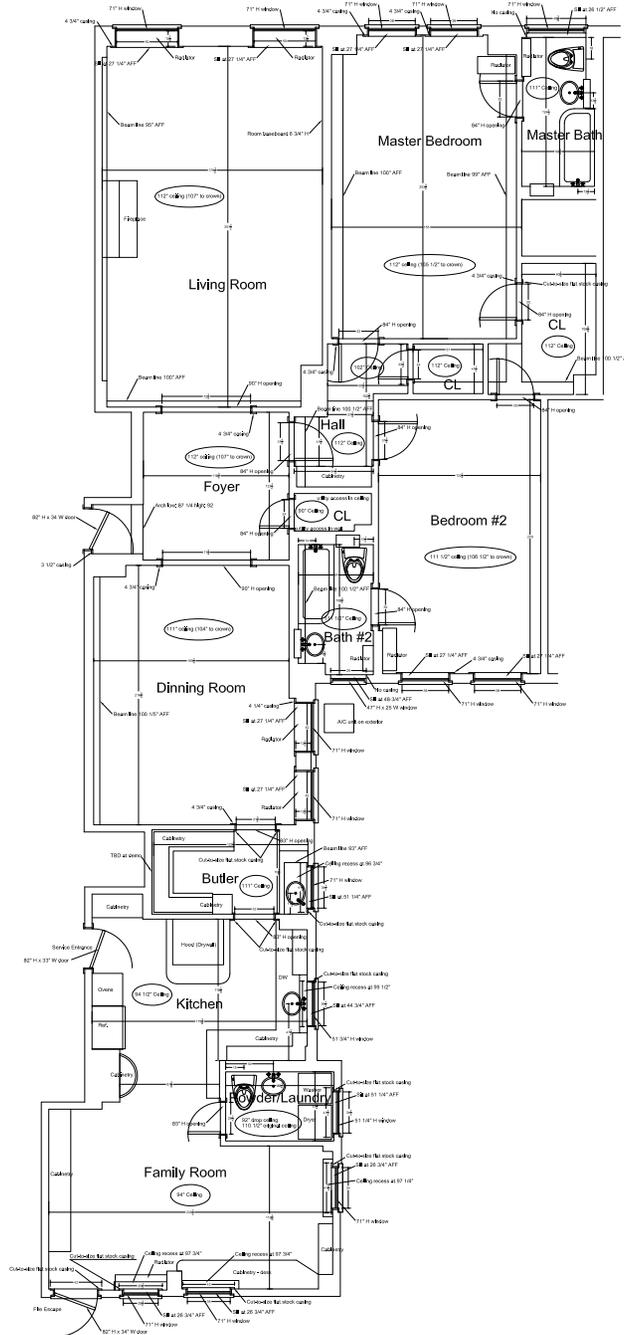
AutoCAD and Autodesk Products, Adobe Suite - Photoshop, Illustrator, Microsoft Office Products, Programming - Visual C#, Processing, Prototyping - POP, InVision, Video editing, Sound editing, game building platforms Twine, Scratch, Construct 2

Needfinding

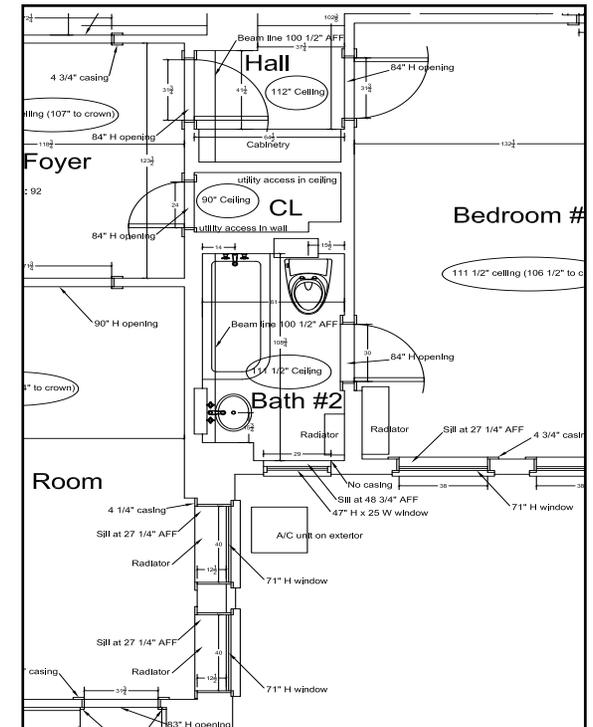
Task:
Identifying
client **needs** -
Utilitarian and
emotional

My Process:
Interviews,
observations,
and research

Sample Work:
Site discovery



Site discovery:
2Design Group
Chicago, IL

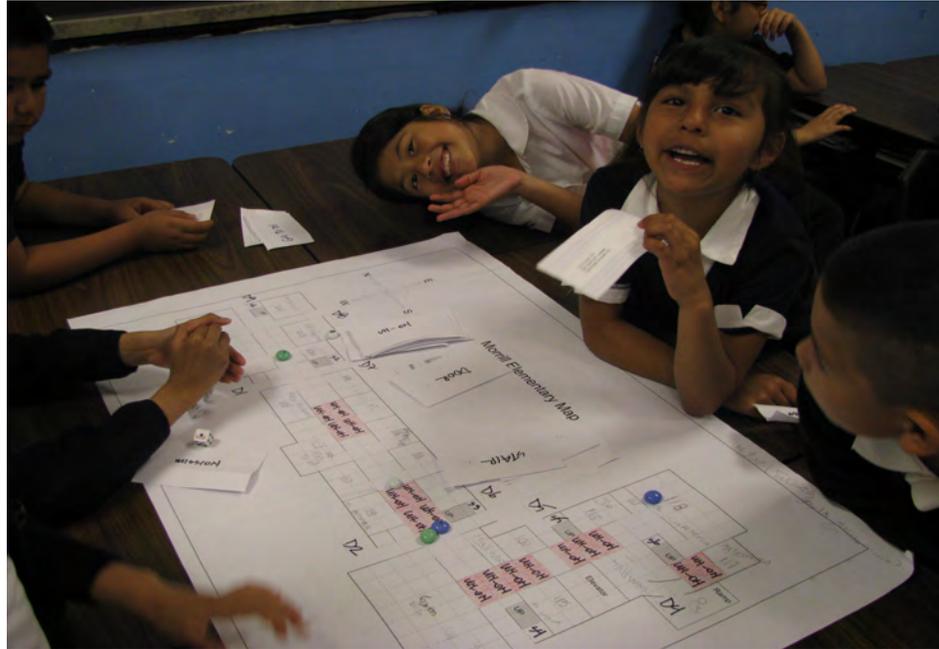


Needfinding

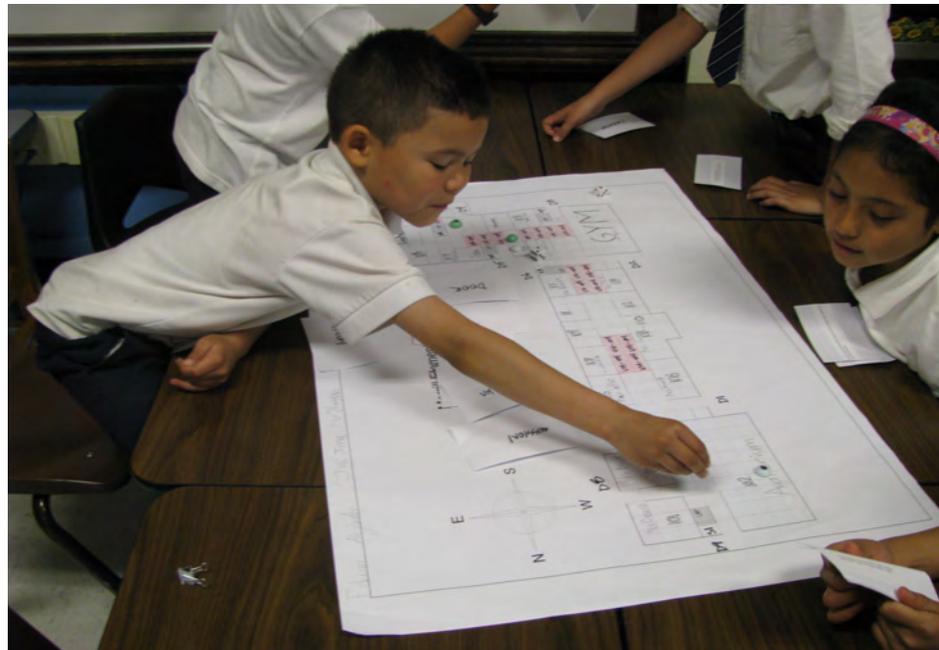
Task:
Research and
processing
collected data

My Experience:
Research
Fellowships:
Education, Play,
Gamification
MFA

Sample Work:
Play as an
instructional
model: K-13



Research:
Map Unit
Morrill Elementary
Chicago, IL



Research:
Map Unit
Morrill Elementary
Chicago, IL

Defining

Task:
Understandings
specifications,
inspirations,
ideas,
Sketches

My Process:
Brainstorming,
diagraming,
iteration,
collaboration,
workshopping

Sample Work:
Workshopping



Affinity Diagram
Columbia College
Chicago, IL



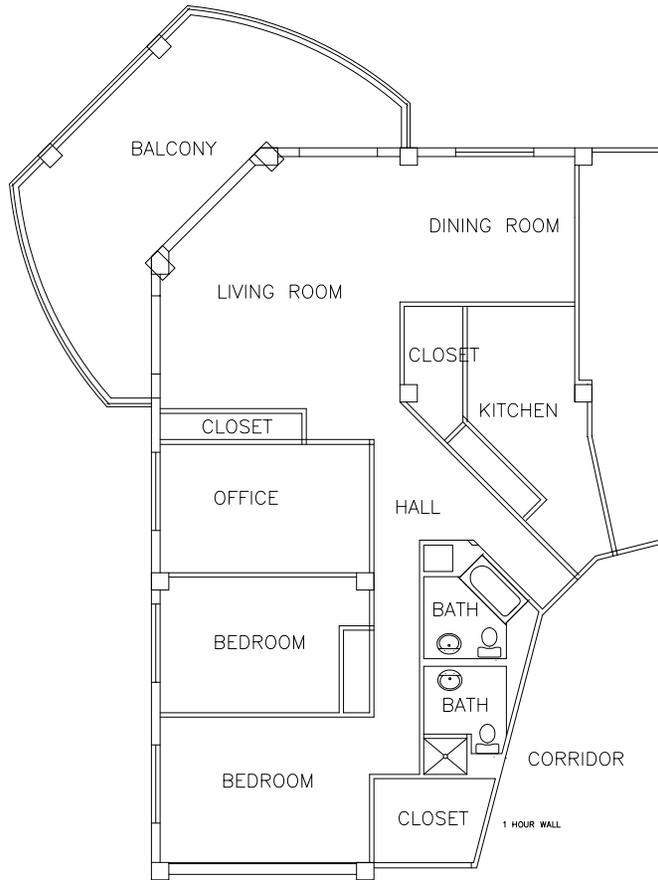
Collaborative
Making
Workshops
Montreal, QC

Design Development

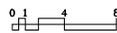
Task:
Use scenarios,
programming,
circulation,
choreography

My Skill:
Space Planning

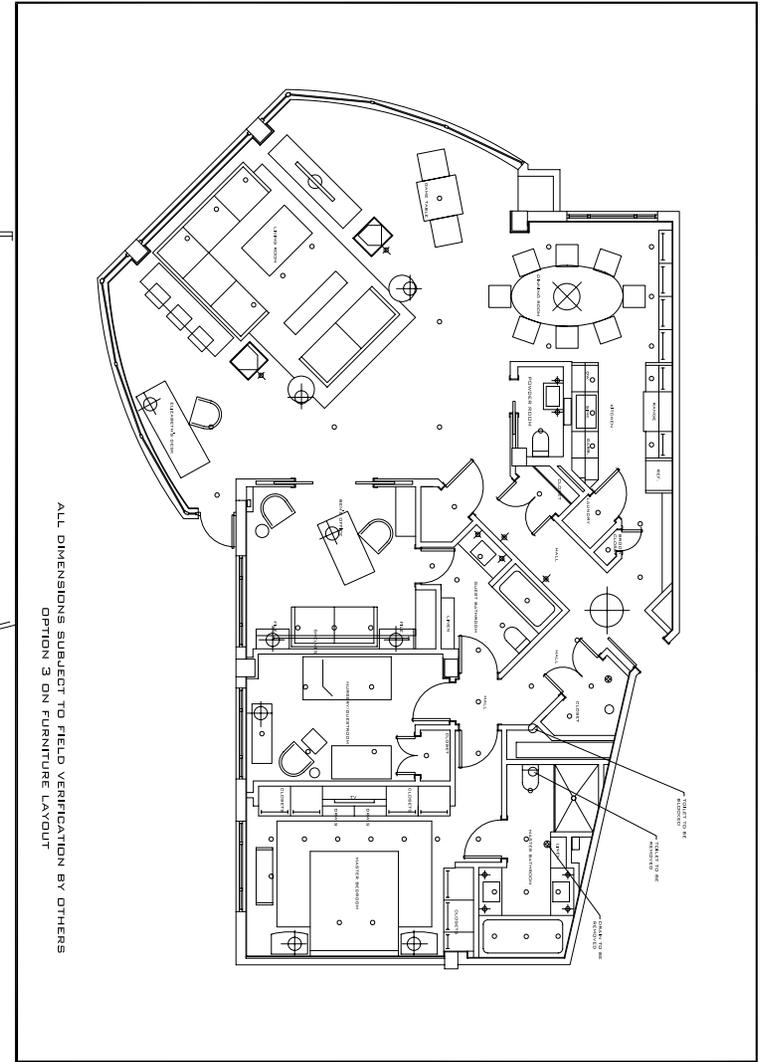
Sample Work:
Gut-Rehab
Residential



EXISTING FLOOR PLAN



Before



ALL DIMENSIONS SUBJECT TO FIELD VERIFICATION BY OTHERS
OPTION 3 ON FURNITURE LAYOUT

richar interiors inc 1327 west washington street suite 106 chicago il 60607 telephone 312,455,0924 fax 312,455,0993	scale: 3/16"=1'-0" date: 06.21.05 drawn by: EDEN job: app'd by: dmk sheet number: A2	GORDON RESIDENCE LIGHTING & MILLWORK For design concept only	<table border="1"> <tr><th>no</th><th>rev</th></tr> <tr><td>06.30.05</td><td></td></tr> <tr><td>07.05.05</td><td></td></tr> <tr><td>07.11.05</td><td></td></tr> <tr><td>07.11.05 (2)</td><td></td></tr> <tr><td>07.28.05</td><td></td></tr> <tr><td>08.09.05</td><td></td></tr> </table>	no	rev	06.30.05		07.05.05		07.11.05		07.11.05 (2)		07.28.05		08.09.05	
	no	rev															
06.30.05																	
07.05.05																	
07.11.05																	
07.11.05 (2)																	
07.28.05																	
08.09.05																	

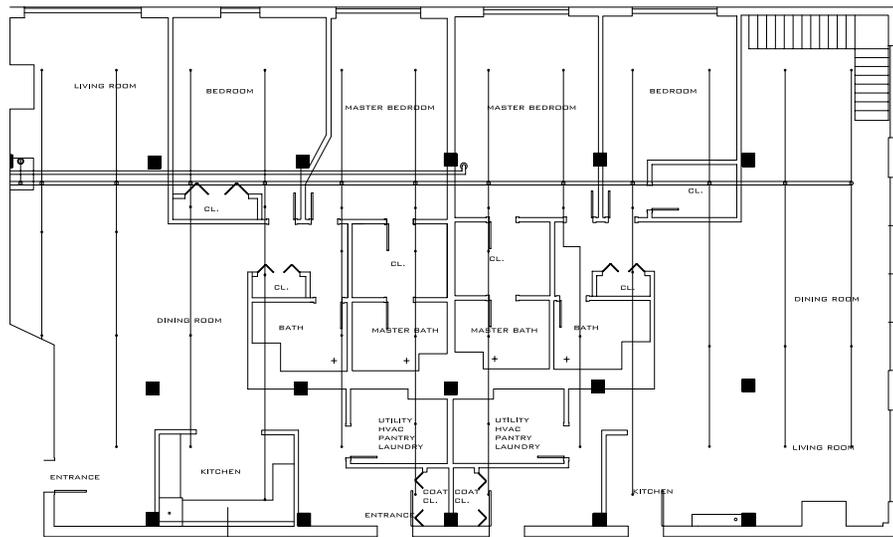
After

Design Development

Task:
Use scenarios,
programming,
circulation,
choreography

My Skill:
Space Planning

Sample Work:
Gut-Rehab
Residential



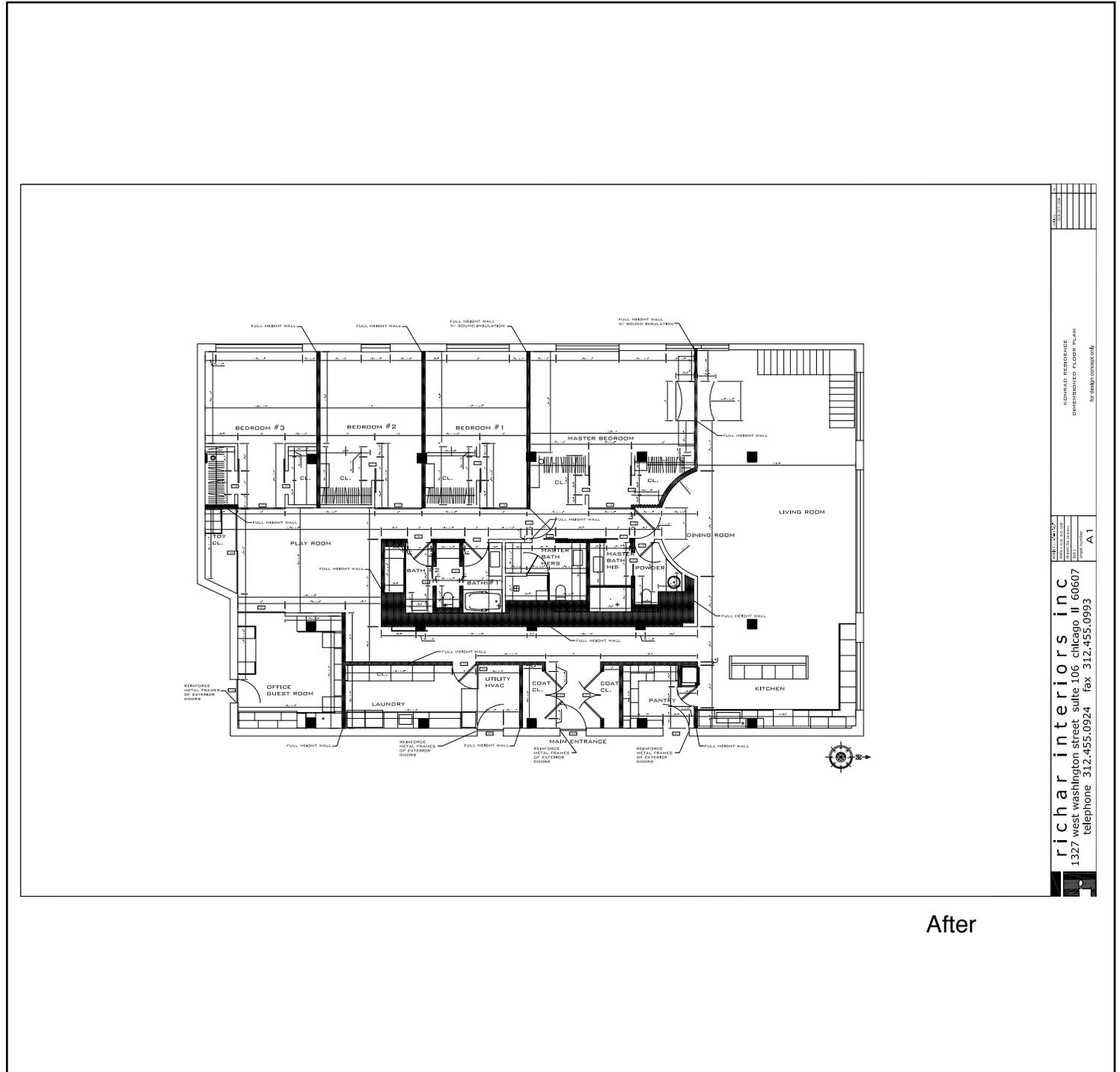
Before

Design Development

Task:
Use scenarios,
programming,
circulation,
choreography

My Skill:
Space Planning

Sample Work:
Gut-Rehab
Residential



After

Detailing

Task:
Millwork
design, and
detailing

My Experience:
Kitchen/bath
design, millwork
design

Sample Work:
Millwork design
samples



Nicelli Residence
Molding Set
Chicago, IL



Nicelli Residence
Living Room
Chicago, IL

Image by others

Detailing

Task:
Millwork
design, and
detailing

My Experience:
Kitchen/bath
design, millwork
design

Sample Work:
Millwork design
samples



Heuberger Residence
Kitchen
Evanston, IL

Image by others



Heuberger Residence
Master Bathroom
Evanston, IL

Image by others

Detailing

Task:
Millwork
design, and
detailing

My Experience:
Kitchen/bath
design, millwork
design

Sample Work:
Millwork design
samples



Klein Residence
Kitchen
Chicago, IL



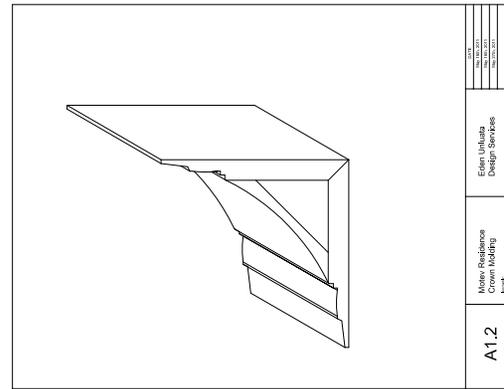
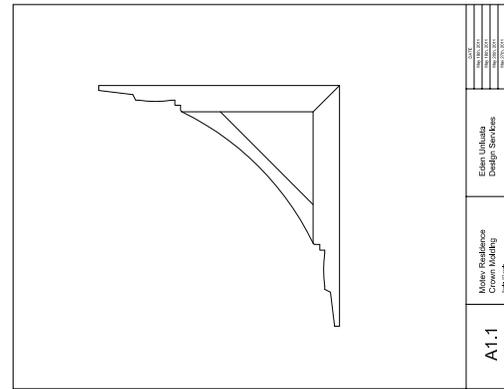
Klein Residence
Foyer and Powder Room
Chicago, IL

Detailing

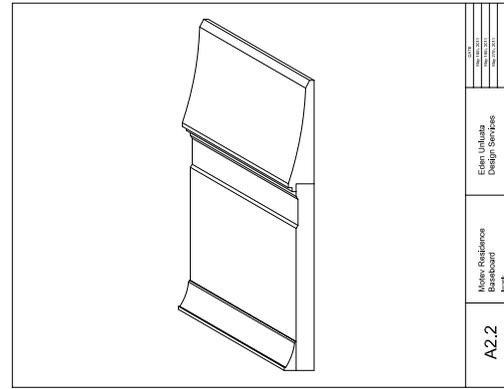
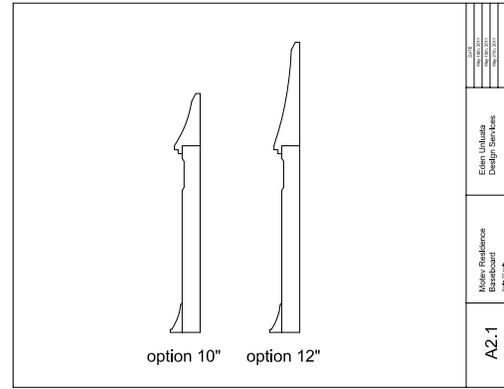
Task:
Millwork
design, and
detailing

My Experience:
Kitchen/bath
design, millwork
design

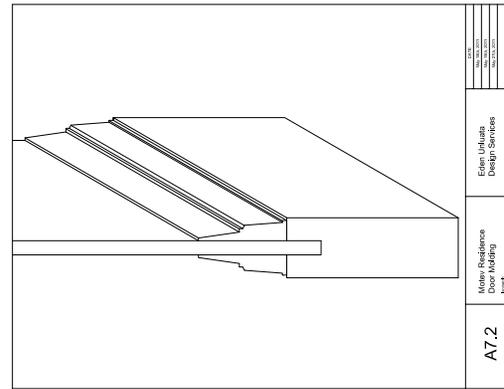
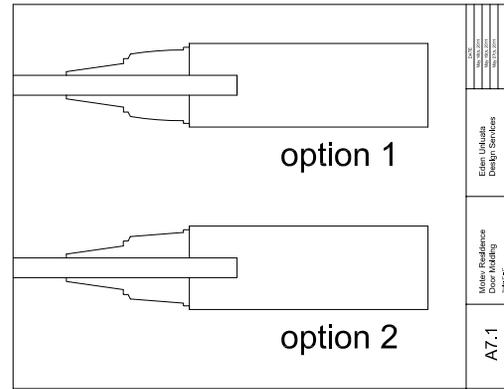
Sample Work:
Millwork design
samples



Motev Residence
Molding Set - Crown
Chicago, IL



Motev Residence
Molding Set - Baseboard
Chicago, IL



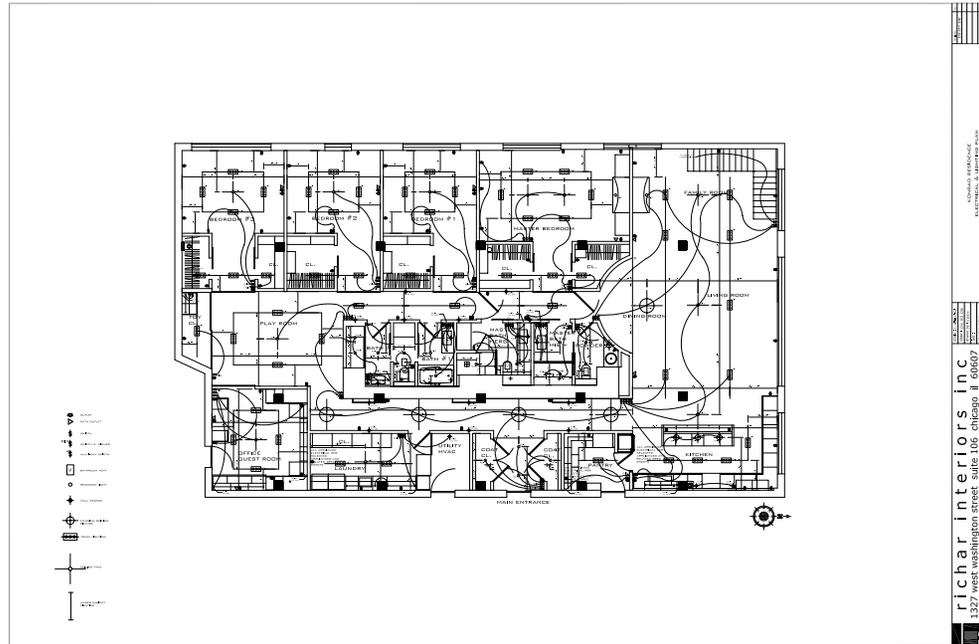
Motev Residence
Molding Set - Baseboard
Chicago, IL

Production

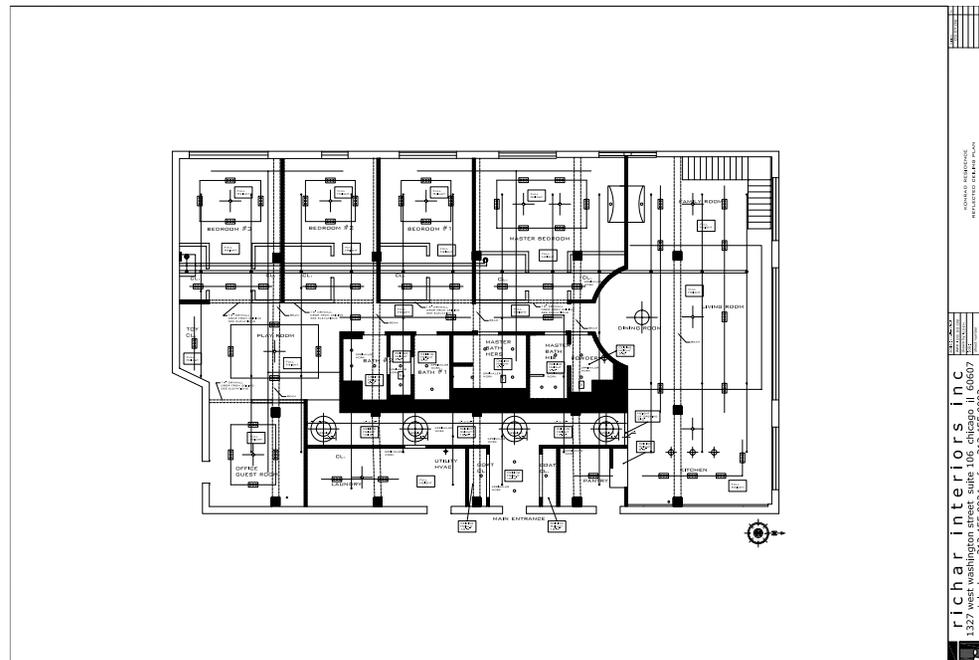
Task:
Prepare
project for
implementation

My Skill:
Production

Sample Work:
Construction
drawings



Konrad Residence
Electrical Plan
Chicago, IL



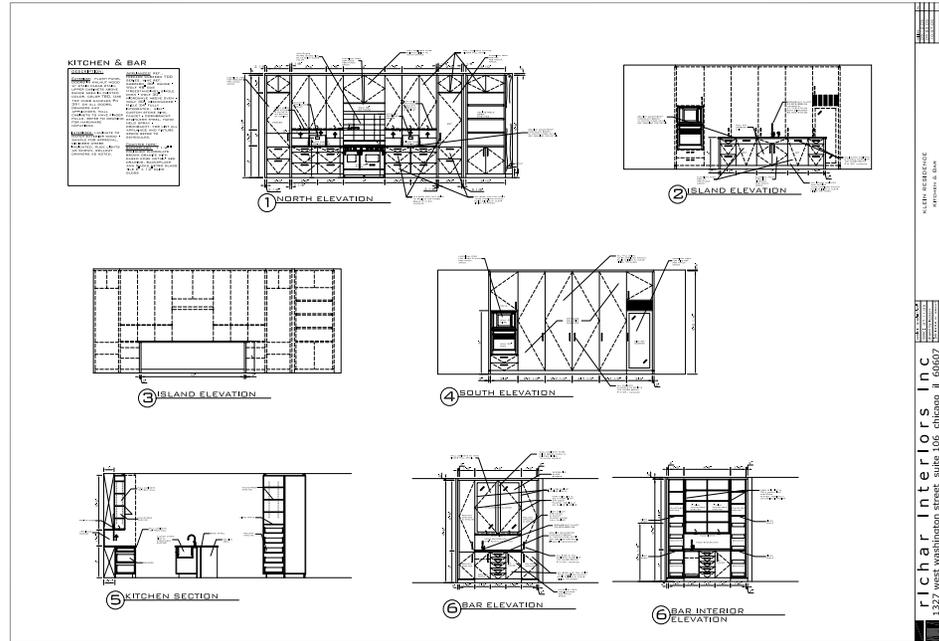
Konrad Residence
Reflected Ceiling Plan
Chicago, IL

Production

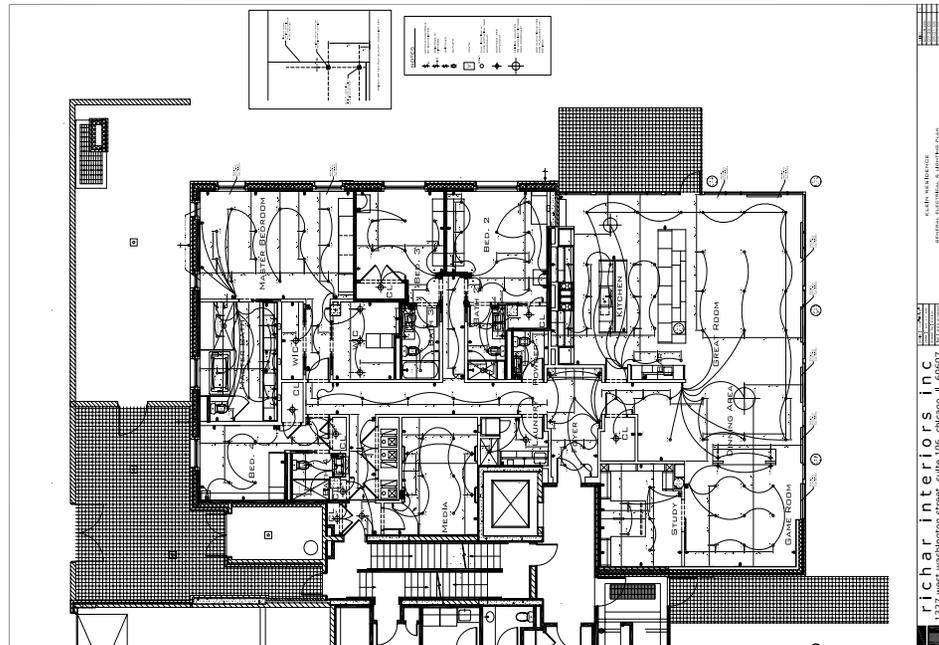
Task:
Prepare
project for
implementation

My Skill:
Production

Sample Work:
Construction
drawings



Klien Residence
Kitchen Elevations
Chicago, IL



Klein Residence
Electrical Plan
Chicago, IL

Software

Task:
Use and learn
new software

My Skills:
2D and 3D,
Documentation,
Programming

Sample Work:
2D - Exhibition
Poster
Photoshop and
Illustrator



Exhibition Poster
Worn Articles Exhibition
Uptown Arts Center
Chicago, IL